

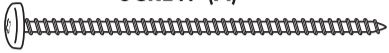
GUIDARAX™



INSTALLATION INSTRUCTIONS: "ON STUD" WALL MOUNT

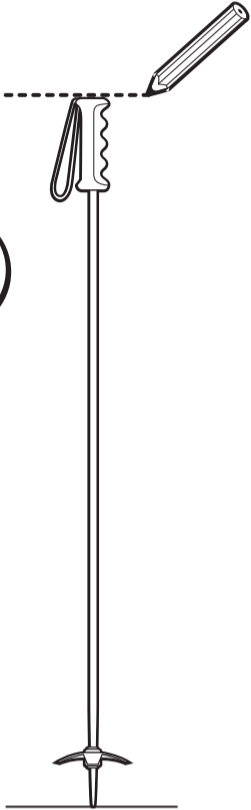
WHAT YOU'LL NEED:

SCREW (A)



LEVEL
DRILL
SCREW GUN
YOUR TALLEST SKI POLE

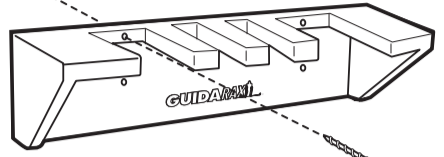
STEP
1



STAND YOUR TALLEST SKI POLE UPRIGHT AGAINST THE WALL, WHERE YOU PLAN TO MOUNT YOUR GUIDARAX.

DRAW A LINE ON THE WALL AT THE TOP OF THE POLE.

STEP
2

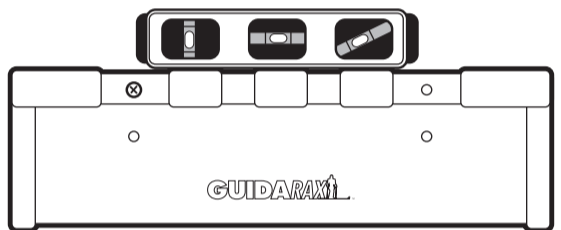


USING SCREW(A)

SCREW FIRST SCREW THROUGH TOP LEFT HOLE OF THE RACK JUST ENOUGH TO HOLD THE RACK TO THE WALL.



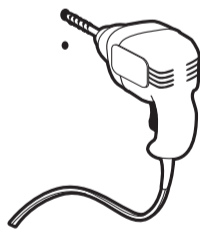
STEP
3



ADJUST UNTIL LEVEL. SCREW IN THE OTHER THREE SCREWS.

THIS IS JUST TO MARK WHERE YOU WILL DRILL THE MOUNTING HOLES ON THE WALL

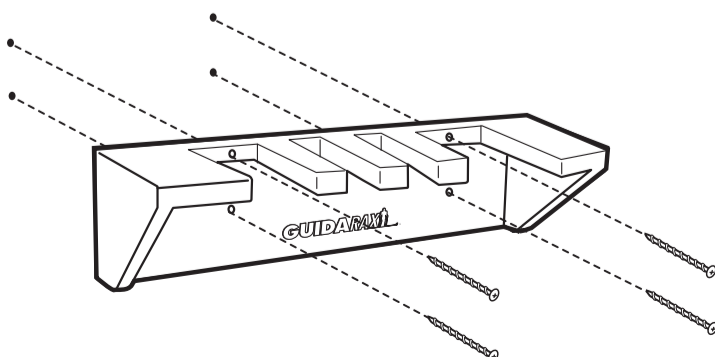
STEP
4



UNSCREW & REMOVE RACK FROM THE WALL.

USING A DRILL WITH A 1/8" BIT, DRILL THE MOUNTING HOLES WHERE YOU'VE MARKED APPROXIMATELY 2" DEEP.

STEP
5



NOW YOU'LL NEED SCREW(A).

PLACE ALL 4 SCREWS THROUGH THE RACK. LINE UP SCREWS WITH THE PRE-DRILLED HOLES AND ONE BY ONE DRIVE IN EACH SCREW.